



WELLS-GARDNER
ELECTRONICS CORPORATION

500500

MID RESOLUTION



K 7 5 0 0 PRODUCT SPECIFICATIONS

S P E C I F I C A T I O N S

- CRT size (diagonal measure): **25", 27"**
- Phosphor type: P22
- CRT etch: Polished faceplate; other faceplates available
- Striped trio spacing: 0.84 mm (25" and 27")

I N P U T S I G N A L S

- Input connector: 0.156 center header
- Video type: RGB analog
- Video input impedance: 1k ohm; other values available
- Video level: 1.5 to 4 volts peak-to-peak; other levels optional
- Sync type: TTL sync; separate or composite, negative or positive
- Sync input impedance: 4.7k ohms
- Horizontal sync frequency: 25 kHz
- Vertical sync frequency: 47 to 63 Hz

L I G H T O U T P U T

40 fL typical

G E O M E T R Y

- Horizontal linearity: $\pm 5\%$
- Vertical linearity: $\pm 5\%$
- Picture size regulation: 2%
- Geometric distortion: $\pm 2\%$ max

P O W E R I N P U T

- Input voltage: 90 - 264 VAC, 50 - 70 Hz; no isolation transformer required
- Maximum power: 130 watts

U S E R C O N T R O L S

- Remote controls: Brightness, contrast, horizontal size, horizontal centering, vertical size, vertical centering, vertical frequency
- Internal controls: Focus, horizontal frequency

M E C H A N I C A L

See additional pages

M I S C E L L A N E O U S

- Operating temperature: 0 to 55 degrees C
- Agency compliance: U.L., C.S.A., D.H.H.S. radiation performance std., TUV

R E S O L U T I O N

- Graphics modes: 640 X 400 (may be limited by the CRT)
- Video bandwidth: 15 MHz typical

SPECIFICATIONS SUBJECT TO CHANGE WITHOUT NOTICE.

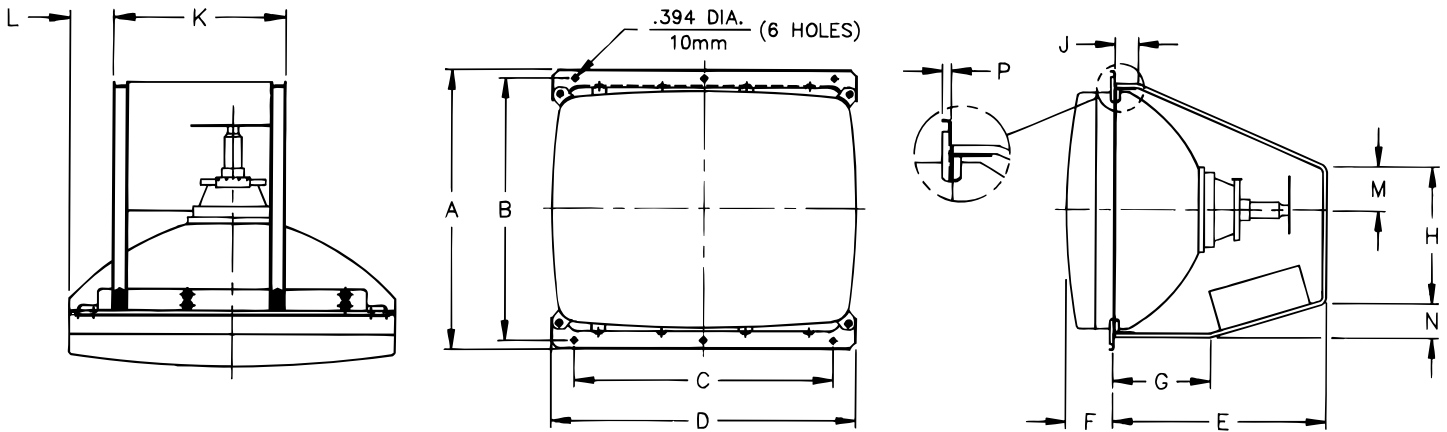


K 7 5 0 0
MECHANICAL SPECIFICATIONS



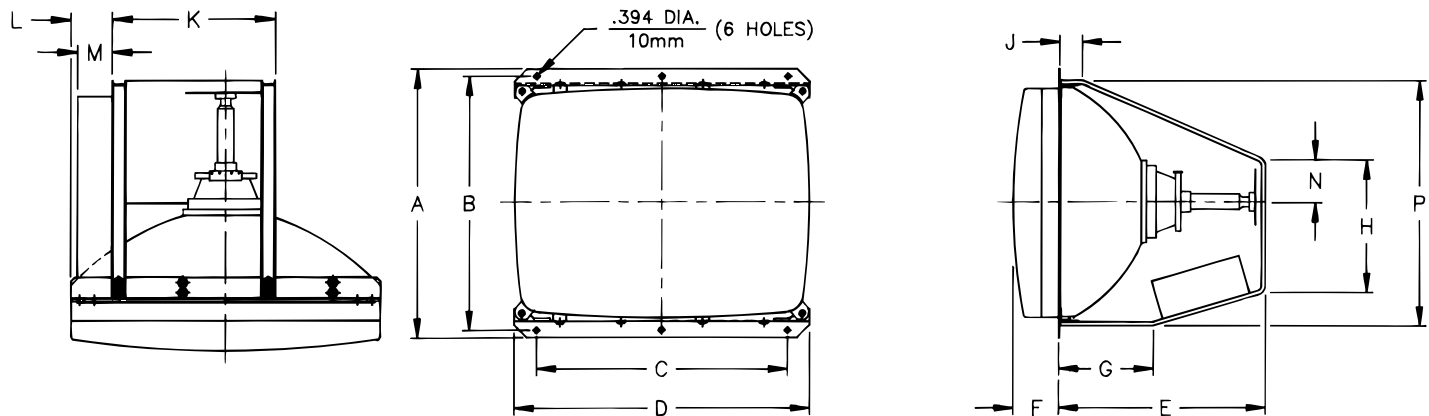
WELLS-GARDNER
ELECTRONICS CORPORATION

DIMENSIONS SHOWN ARE FOR REFERENCE ONLY. FOR SPECIFICS CONTACT W.G.E.C. ENGINEERING.
 2701 North Kildare Avenue Chicago, Illinois 60639 Phone (773) 252-8220 Fax (773) 252-8072



25V Color Monitor 25-U4 (F25M4) WG P/N: WGM2575-U4GS27S

DIM.	A	B	C	D	E	F	G	H	J	K	L	M	N	P
IN.	20.630	19.291	19.291	23.000	16.125	3.590	7.375	10.125	1.750	12.000	3.140	3.250	2.562	.343
mm.	524.0	490.0	490.0	584.2	409.58	91.19	187.33	257.18	44.45	304.8	79.76	82.55	65.07	8.71



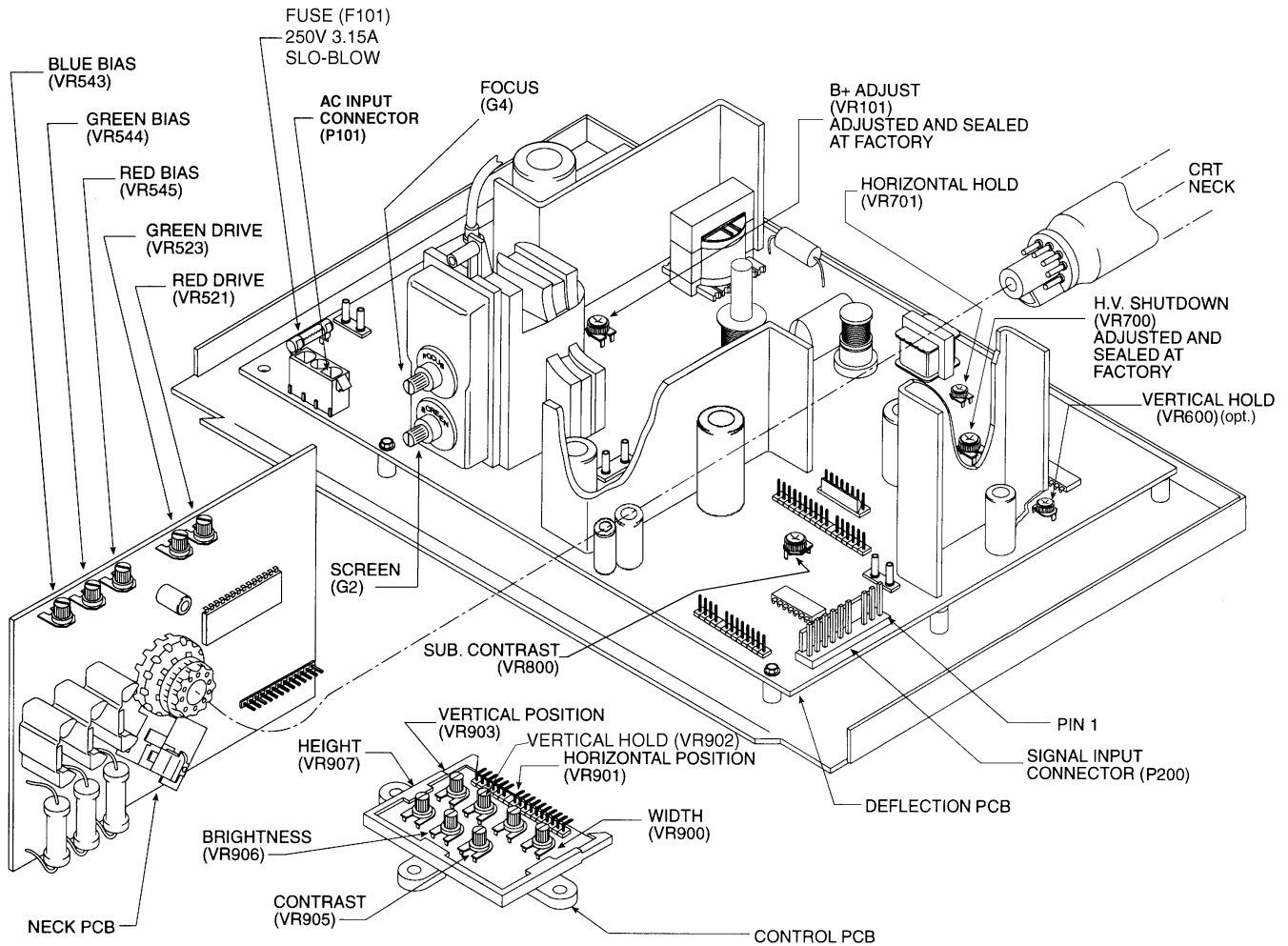
27V Color Monitor 27-U0 (F27M) WG P/N: WGM2775-U0GS61H

DIM.	A	B	C	D	E	F	G	H	J	K	L	M	N	P
IN.	21.937	20.644	20.644	24.500	16.125	3.230	7.375	10.125	1.750	12.000	3.875	2.750	3.250	20.210
mm.	557.20	524.36	524.36	622.30	409.58	82.04	187.33	257.18	44.45	304.80	98.43	69.85	82.55	513.34



WELLS-GARDNER
ELECTRONICS CORPORATION

M O D E L
2 5 K 7 5 0 1
2 7 K 7 5 0 1



AC INPUT CONNECTOR: P101

AMP 350760-4
Mating AMP type 1-480700-0

Pin	Description
1	AC hot
2	Earth ground
3	AC neutral

INPUT SIGNAL CONNECTOR: P200

AMP 1-640445-0
Mating AMP type 1-640250-0

PCB Connector Pin	Description	Mating Connector Pin
10	Red	1
9	Green	2
8	Blue	3
7	Gnd	4
6	± Vertical Sync	5
5	± Horz/Comp Sync	6
4	Key	7
3	Gnd	8
2	± Vertical Sync	9
1	± Horz/Comp Sync	10



WELLS-GARDNER
ELECTRONICS CORPORATION

2 5 K 7 5 0 1
2 7 K 7 5 0 1



REPLACEMENT PARTS LIST

Main, Neck & Control PCB Assembly Parts List



DIODES		
DESIGNATION	DESCRIPTION	PART NO.
Z500	ZENER DIODE 12V 5% 1.0W	066X0040-050
Z601	ZENER DIODE 12V 5% 0.5W	066X0040-046
Z700	ZENER DIODE 5.1V 5% 0.5W	066X0040-028
Z701	ZENER DIODE 5.6V 5% 0.5W	066X0040-022
Z702	ZENER DIODE 13V 6.5% 1.0W	066X0040-017
Z804	ZENER DIODE 9.1V 5% 0.5W	066X0040-020
Z802	ZENER DIODE 24V 3% 0.5W	066X0040-031
Z800	ZENER DIODE 75V 5% 0.5W	066X0040-048
D101, D102, D103, D104	DIODE 1N5406	066X0135-001
D105	DIODE 1N4007	066X0095-001
D106A, D106B, D106C	DIODE 200V 3.5V BYV28-200	066X0097-001
D107	DIODE MUR490	066X0126-002
D108, D112, D113, D310, D301, D302, D303	DIODE RU-2 1A 600V FAST REC	066X0090-001
D114, D603	DIODE 1N4001	066X0071-001
D117	DIODE DAMP 1A 600V GIRGP10J	066X0144-001
D501, D502, D503, D507	DIODE 1N914B	066X0070-001
D504, D505, D506, D803, D807	DIODE SANYO GMA02	066X0062-001
D600, D601, D602, D604, D700	DIODE 1N914B	066X0070-001
D702, D709, D711, D800, D804	DIODE 1N914B	066X0070-001
D707	DIODE DD54RC SANYO	066X0150-001
D708	DIODE MUR 460	066X0126-005
D810	DIODE 1N4005	066X0075-001

INTEGRATED CIRCUITS		
DESIGNATION	DESCRIPTION	PART NO.
U101	IC PWM UC3842AN	086X0257-001
U500	IC LM1203N RGB VID AMP	086X0270-001
U601	IC VERT DEFL TDA1771	086X0326-001
U701	IC LA7850 H/V PROC SANYO	086X0274-001
U702	IC QUAD 2-INPUT X OR 2N74LS136	086X0333-001

TRANSFORMERS		
DESIGNATION	DESCRIPTION	PART NO.
T101	TFMR SMPS	053X0649-001
T700	TFMR FLBK	053X0651-001
L701	COIL LINEARITY	009A2813-018
L703	COIL PINCUSHION CORRECTION	009A2970-002

TRANSISTORS		
DESIGNATION	DESCRIPTION	PART NO.
Q502, Q506, Q507, Q508, Q601, Q700	TRSTR 2N3904 MOT	086X0113-501
Q509, Q510, Q511	TRSTR 2N3906 MOT	086X0114-501
Q800, Q802, Q803	TRSTR MPSA92 MOT	086X0133-501
Q602	TRSTR 2SC29275 NEC	086X0176-001
Q703	TRSTR 2SC2482 TOSH	086X0185-501
Q709	TRSTR 2N4403	086X0211-501
Q704	TRSTR 2SC3686	086X0286-001
Q503, Q504, Q505	TRSTR NPN SANYO 2SC3782	086X0287-001
Q101	TRSTR N-MOSFET 6N60	086X0334-001
Q710	TRSTR BDX53A SGS NPN DAR	086X0335-001

VARIABLE POTENTIOMETERS		
DESIGNATION	DESCRIPTION	PART NO.
VR900	TRIM POT 5K OHM .15W	040X0714-007
VR901	TRIM POT 20K OHM .15W	040X0714-009
VR903	TRIM POT 2K OHM .15W	040X0714-006
VR905	TRIM POT 10K OHM .15W	040X0714-008
VR906	TRIM POT 50K OHM .15W	040X0714-010
VR907	TRIM POT 200K OHM .15W	040X0714-012

MISCELLANEOUS		
DESIGNATION	DESCRIPTION	PART NO.
F101	FUSE 3.15A 5 X 20 IEC/UL SLO BLOW	016X0211-009
R760	RES 470 OHM 5% 1W FP FAILSFE	043X0509-006
CRT	CRT 25 INCH	088X0373-506
CRT	CRT 27 INCH	088X0375-506
R108	RES 0.33 OHM 5% 2W MF	420X5339-323

