



**WELLS-GARDNER**  
ELECTRONICS CORPORATION

U3000  
VGA/SVGA



# U 3 0 0 0

## PRODUCT SPECIFICATIONS

### SPECIFICATIONS

- CRT size (diagonal measure): **14", 17" FS, 19"**
- Phosphor type: P22
- CRT etch: Polished faceplate; other faceplates available
- Phosphor trio spacing: .28mm or .39mm (14"), .42mm (17"FS), .71mm (19")

### INPUT SIGNALS

- Input connector: 15 pin D-sub male; VGA compatible
- Video type: RGB analog
- Video input impedance: 75 Ohm; 470 Ohm optional
- Video level: 0.7 volts peak-to-peak; other levels optional
- Sync type: Standard VGA/SVGA TTL sync; composite optional
- Sync input impedance: 4.7 kOhm
- Horizontal sync frequency: 31.5, 35 kHz
- Vertical sync frequency: 56 to 70 Hz

### LIGHT OUTPUT

40 fL typical

### GEOMETRY

- Horizontal linearity: +/- 5%
- Vertical linearity: +/- 5%
- Picture size regulation: 1%
- Geometric distortion: +/- 2% max

### POWER INPUT

- Input voltage: 90 - 264 VAC, 50 - 70 Hz; no isolation transformer required
- Max power: 130 Watts

### USER CONTROLS

- Remote controls: Brightness, contrast, horizontal size, horizontal centering, vertical size, vertical centering
- Internal controls: Horizontal frequency, vertical frequency, vertical linearity, focus

### MECHANICALS

See additional pages

### MISCELLANEOUS

- Operating temperature: 0 to 55 degrees C
- Agency compliance: U.L., C.S.A., D.H.H.S. radiation performance standard, T.U.V.

### RESOLUTION

- Graphics modes: VGA: 640 x 200, 640 x 350, 640 x 480  
SVGA: 800 x 600
- Video bandwidth: 25 MHz typical

**SPECIFICATIONS SUBJECT TO CHANGE WITHOUT NOTICE**



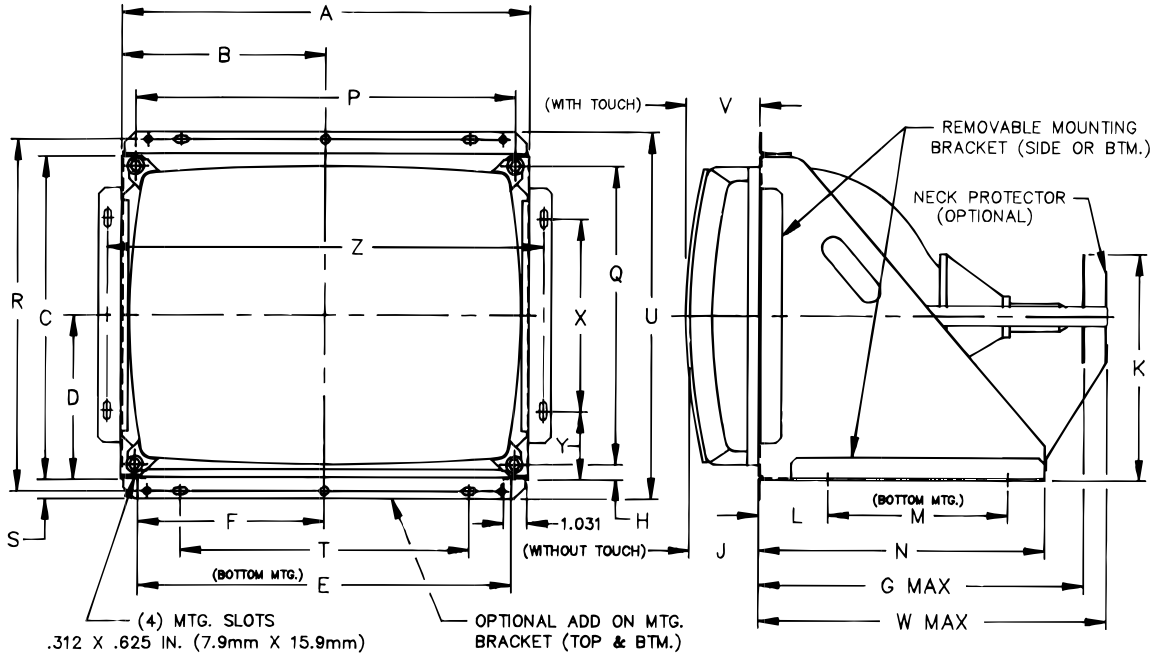
# U 3 0 0 0

## MECHANICAL SPECIFICATIONS



**WELLS-GARDNER**  
ELECTRONICS CORPORATION

DIMENSIONS SHOWN ARE FOR REFERENCE ONLY. FOR SPECIFICS CONTACT W.G.E.C. ENGINEERING.  
2701 North Kildare Avenue Chicago, Illinois 60639 Phone (773) 252-8920 Fax (773) 252-8072



**19V Color Monitor 19-M2 (F19HM2)**      **WG P/N:**      WGM1930-M2TS42E

DIM.	A	B	C	D	E	F	G	H	J	K	L	M	N	P	Q	R	S	T	U	V	W	X	Y	Z
<b>IN.</b>	18.340	9.170	14.343	7.955	16.971	8.485	14.531	.692	3.091	9.81	3.063	8.000	12.687	17.090	13.260	15.740	.968	12.843	16.440	3.281	15.280	8.500	2.890	19.593
<b>mm.</b>	465.84	232.92	364.31	184.28	431.06	215.53	369.09	15.80	78.51	249.17	77.80	203.20	322.25	434.09	336.80	399.80	24.59	326.21	417.58	83.34	388.11	215.9	73.41	497.66